



Photo Conductive Cell, CdS, LDR 光敏電阻

Model No. : KE-10720

General Description:

By using the sintering film fabrication method, the manufacturing process of the photo conductive layer can offer high sensitivity and easy fabrication of large sensitive areas, a large mass production effect, and relatively superior production profitability

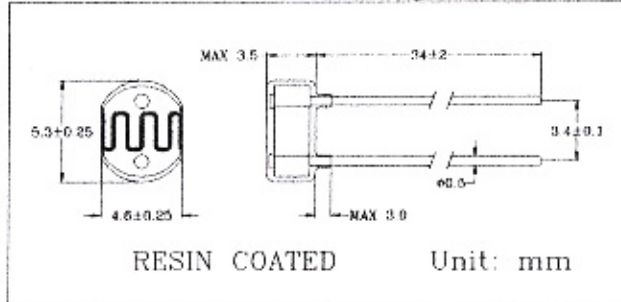
Features:

- Low Cost
- Exceptional temperature stability
- Fast response time
- Excellent chopping capability

Applications:

- ☐ Automatic dimmer
- ☐ Automatic flasher
- ☐ Optical relay

Outline Dimensional Drawing



Electrical Characteristics

(Ta=25°C)

Descriptions	Symbol	Min.	Typ.	Max.	Unit
Photo Resistance at 10 Lux (Light Source: 2856K)	R _L	10		20	kΩ
Dark Resistance After 10 sec. Removal of 10 Lux	R _D	0.5			MΩ
Gamma Value at 10 ~ 100 Lux	γ ₁₀ ¹⁰⁰		0.7		
Maximum Power Dissipation	P _D			35	mW
Maximum Breakdown Voltage	V _{MAX}			100	V _{DC}
Peak Spectral Response	λ _p	550		650	nm
Rise Response Time at 1 fc	t _r		35		ms
Fall Response Time at 1 fc	t _f		5		ms
Ambient Temperature	T _A	-30 ~ +60			°C

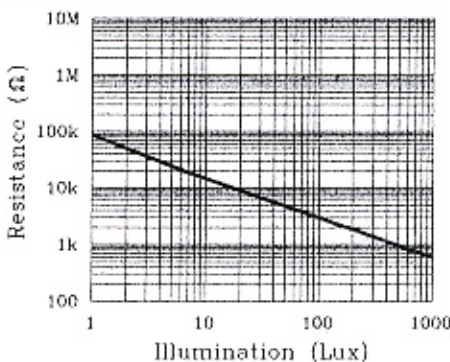
* Pre-measurement condition: Exposed in 500 Lux for more than 3 hours.

γ value: Standard gradient rate of resistance ranged by 10 ~ 100 Lux
(±0.1 unless otherwise stated)

$$\gamma = \frac{\log(R_b) - \log(R_a)}{\log(E_b) - \log(E_a)}$$

Where: R_x : Photo resistance as lighting x
E_x : Illumination as lighting x

Resistance vs Illumination



Relative Spectral Response

