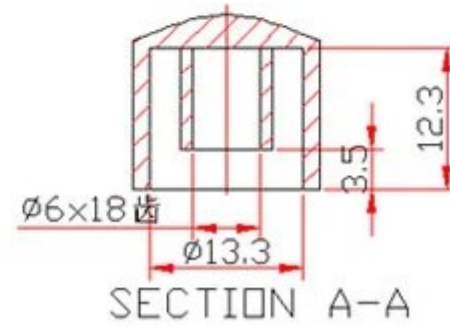
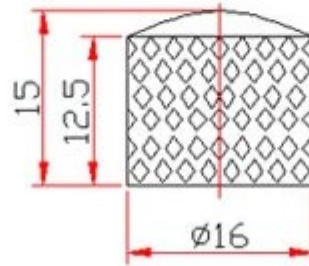


(SHAFT)HOLE=6.0mm*18齿



Dimension in mm