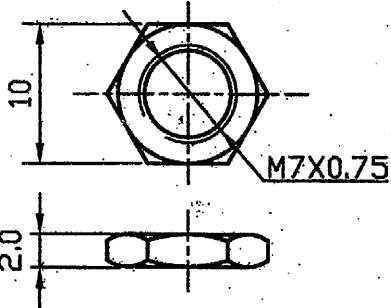
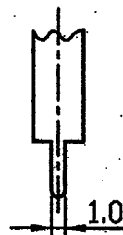


NUT 1 PC

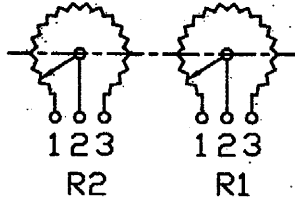
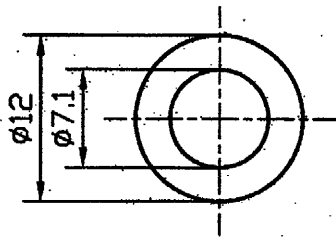
TERMINAL DETAIL



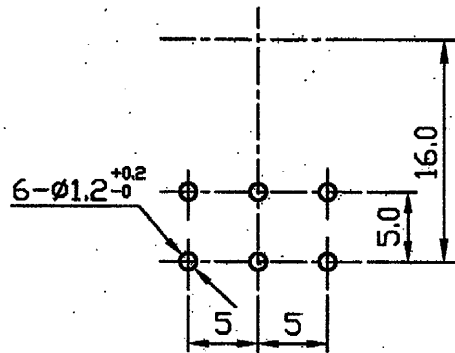
WASHER 1 PC t=0.4



● 300° ROTATION  
DUAL UNIT



CIRCUIT



MOUNTING HOLE DETAIL

NOTE:

SHAFT BUSHING MATERIAL IS ZINC ALLOY DIECASTING.

RV16A01F-41-(L)R-XXX-3X (3)						
NO.	DATE	DESCRIPTION	MODEL NAME			
TOL. UNLESS OTHERWISE STATED	DIMENSION	SCALE	DRAWN BY	CHECKED BY	APPROVED BY	DRAWING NO.
less than 10 ±0.2	mm	2:1	陳 99.3.3 筱婷		劉 99.3.3 韋良	
above 10 ~ 30 ±0.5						
above 30 ~ 100 ±1.0						
above ±2						