



MASTER INSTRUMENT CORPORATION

SINGLE-PHASE BRIDGE RECTIFIER W005M THRU W10M

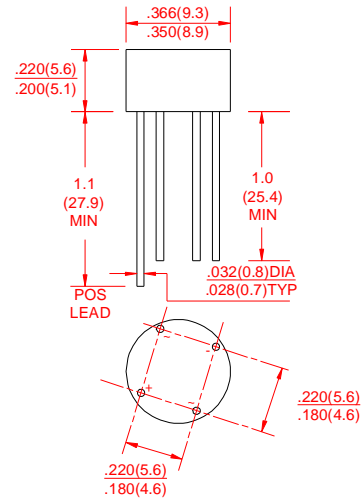
VOLTAGE RANGE 50 to 1000 Volts
CURRENT 1.5 Amperes

FEATURES

- I Low cost
- I This series is UL recognized under component index, file number E127707
- I High forward surge current capability
- I Ideal for printed circuit board
- I High temperature soldering guaranteed: 260°C/10 second, 0.375"(9.5mm) lead length at 5 lbs. (2.3kg) tension.

MECHANICAL DATA

- I Case: Molded plastic body
- I Terminal: Lead solderable per MIL-STD-202E method 208C.
- I Polarity: Polarity symbols molded on case
- I Mounting position: Any
- I Weight: 0.042ounce, 1.2grams



Dimensions in inches and (millimeters)

MAXIMUM RATINGS AND ELECTRICAL CHARACTERISTICS

Ratings at 25°C ambient temperature unless otherwise specified.
Single phase, half wave, 60Hz, resistive or inductive load.
For capacitive load derate current by 20%.

	SYMBOLS	W005M	W01M	W02M	W04M	W06M	W08M	W10M	UNITS	
Maximum Repetitive Peak Reverse Voltage	V_{RRM}	50	100	200	400	600	800	1000	Volts	
Maximum RMS Voltage	V_{RMS}	35	70	140	280	420	560	700	Volts	
Maximum DC Blocking Voltage	V_{DC}	50	100	200	400	600	800	1000	Volts	
Maximum Average Forward Rectified Output Current, at $T_A=25^\circ\text{C}$	$I_{(AV)}$	1.5							Amps	
Peak Forward Surge Current 8.3ms single half sine-wave superimposed on rated load (JEDEC Method)	I_{FSM}	50							Amps	
Maximum Instantaneous Forward Voltage at 1.0A	V_F	1.0							Volts	
Maximum DC Reverse Current at rated DC blocking voltage	$T_A=25^\circ\text{C}$	I_R	10							μAmps
	$T_A=100^\circ\text{C}$		0.5							mAmps
Typical Junction Capacitance(Note1)	C_j	15							pF	
Typical Thermal Resistance(Note2)	$R_{\theta JA}$	40							$^\circ\text{C/W}$	
Operating Temperature Range	T_J	-55 to +125							$^\circ\text{C}$	
Storage Temperature Range	T_{STG}	-55 to +150							$^\circ\text{C}$	
NOTES:										
1. Measured at 1.0MHz and applied reverse voltage of 4.0 volts.										
2. Unit mounted on P.C. board with $0.22" \times 0.22"$ (5.5 x 5.5mm) copper pads, 0.375"(9.5mm) lead length.										

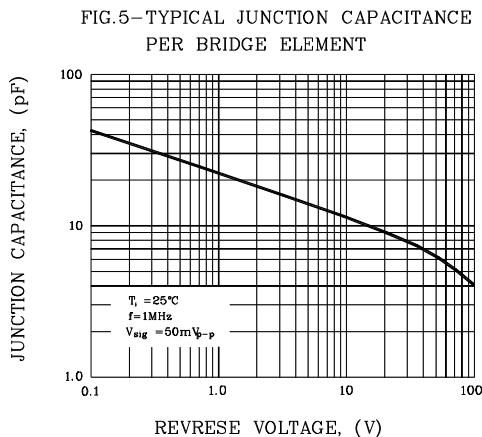
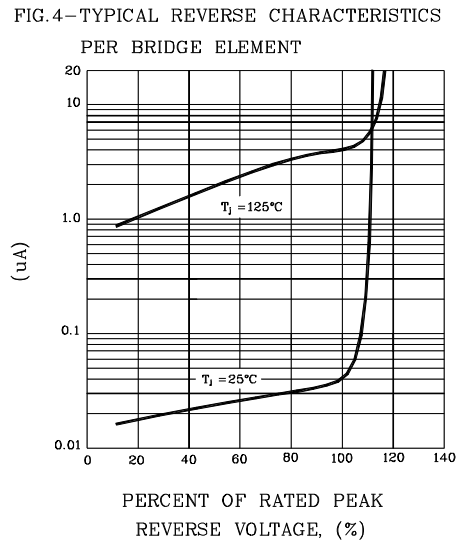
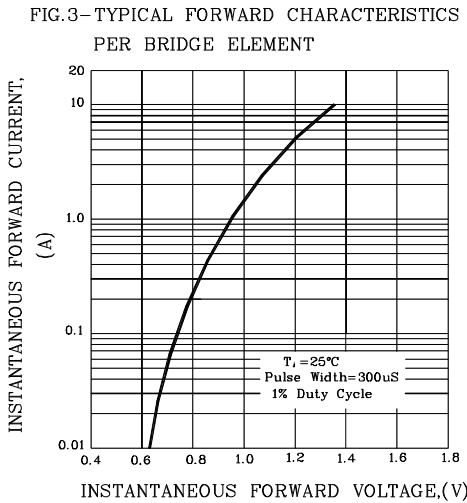
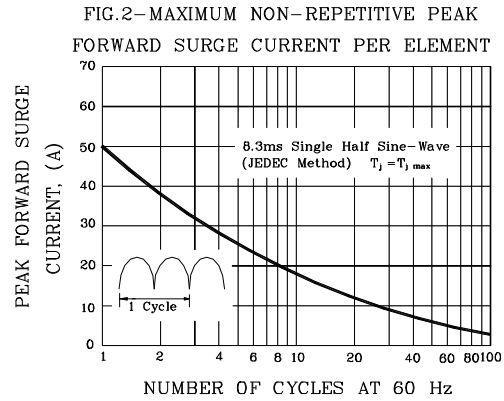
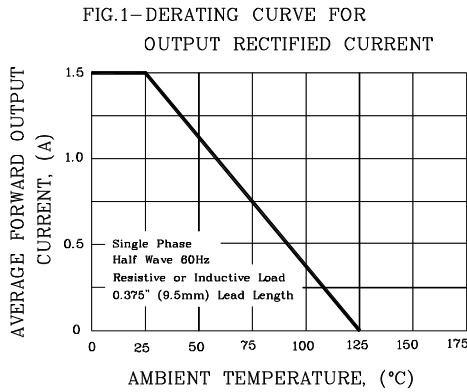


MASTER INSTRUMENT CORPORATION

**SINGLE-PHASE BRIDGE RECTIFIER
W005M THRU W10M**

**VOLTAGE RANGE 50 to 1000 Volts
CURRENT 1.5 Amperes**

RATINGS AND CHARACTERISTIC CURVES W005M THRU W10M





MIC GROUP
RECTIFIERS

[Home](#)
[Company culture](#)
[MIC products](#)
[Service](#)
[Contact Us](#)

Search

Part number search:

GO

Cross Reference search:

GO

Parametric
Search

Rectifiers

TVS

ZENER

PRODUCTS

model	Package	category	IF	VF	VR	AND	TRR	IFSM	
Product General Type	Product appearance	The Division classified	Forward rated current (Amp)	Forward voltage drop (Volt)	Reverse voltage (Volt)	Reverse leakage (uAmp)	Reverse recovery time (nSecond)	Resistance to surge forward current capability (Amp)	PDF
W08M	WOM	STANDARD	1.5	1	800	5		50	W005M thru W10M
W08MF	WOM	FAST Recovery	1.5	1.3	800	10	500	50	W005MF thru W10MF
W01M	WOM	STANDARD	1.5	1	100	5		50	W005M thru W10M
W06MF	WOM	FAST Recovery	1.5	1.3	600	10	250	50	W005MF thru W10MF
W005MF	WOM	FAST Recovery	1.5	1.3	50	5	150	50	W005MF thru W10MF
W06M	WOM	STANDARD	1.5	1	600	5		50	W005M thru W10M
W005M	WOM	STANDARD	1.5	1	50	5		50	W005M thru W10M
W04MF	WOM	FAST Recovery	1.5	1.3	400	5	150	50	W005MF thru W10MF
W04M	WOM	STANDARD	1.5	1	400	5		50	W005M thru W10M
W02MF	WOM	FAST Recovery	1.5	1.3	200	5	150	50	W005MF thru W10MF
W10MF	WOM	FAST Recovery	1.5	1.3	1000	10	500	50	W005MF thru W10MF
W02M	WOM	STANDARD	1.5	1	200	5		50	W005M thru W10M
W10M	WOM	STANDARD	1.5	1	1000	5		50	W005M thru W10M
W01MF	WOM	FAST Recovery	1.5	1.3	100	5	150	50	W005MF thru W10MF

Page: 1/1 Per Page 20 Total 14 No.: [1]